

# POMPE SPECIAL

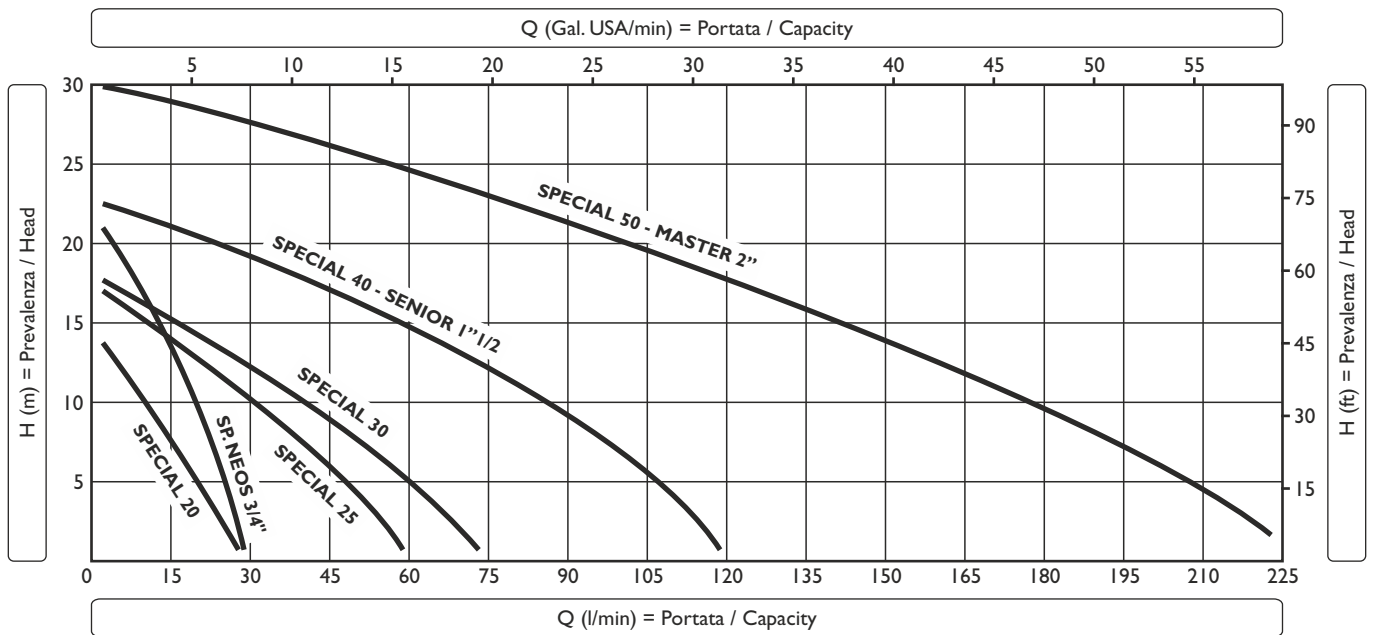
## SPECIAL PUMP TYPE



**SPECIAL 20-25-30-40-50**

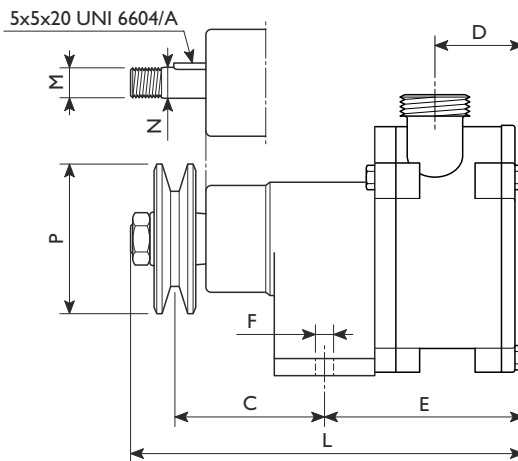
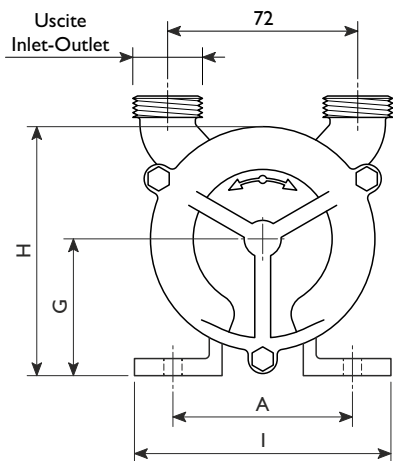


**SPECIAL SENIOR 1 1/2-MASTER 2"**

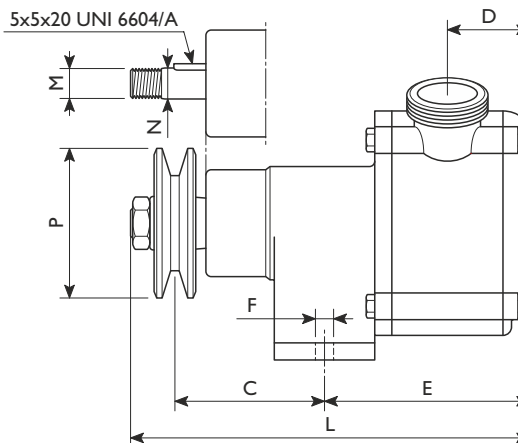
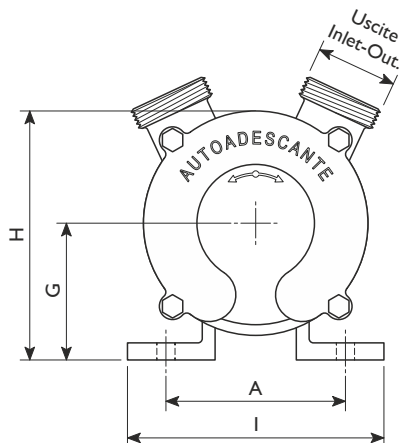


Tipo Type	Codice Code	Materiale Material	Peso Weight	Giri/min Rpm	H (m) = Prevalenza / Head - Q (l/min) = Portata / Capacity													
					0	5	10	12	15	18	22	28	30	H				
<b>SPECIAL 20</b>	51072000	Bronzo/Bronze	2,0 kg	2800	29	20	10	6	0									
<b>SPECIAL 25</b>	51072500	Bronzo/Bronze	2,8 kg	2800	60	50	25	15	8	0								
<b>SPECIAL 30</b>	51073000	Bronzo/Bronze	5,6 kg	1400	75	60	40	30	15	0								
<b>SPECIAL 40</b>	51074000	Bronzo/Bronze	7,3 kg	1400	120	110	85	80	55	45	0							
<b>SPECIAL 50</b>	51075000	Bronzo/Bronze	12,5 kg	1400	230	210	175	155	140	125	85	45	0					
<b>SPECIAL NEOS 3/4"</b>	60070500	Inox AISI 316	1,8 kg	2800	29	23	17	14	13	8	0							
<b>SPECIAL SENIOR 1 1/2</b>	60074000	Inox AISI 316	7,4 kg	1400	120	110	85	80	55	45	0							
<b>SPECIAL MASTER 2"</b>	60075000	Inox AISI 316	12,6 kg	1400	230	210	175	155	140	125	85	45	0					

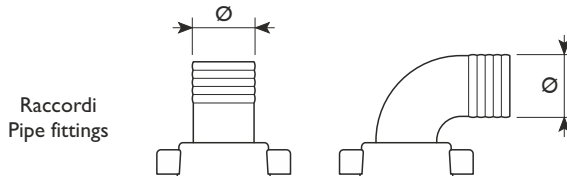
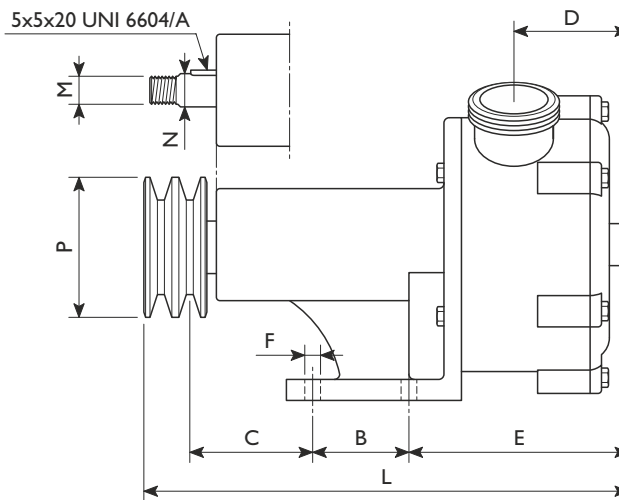
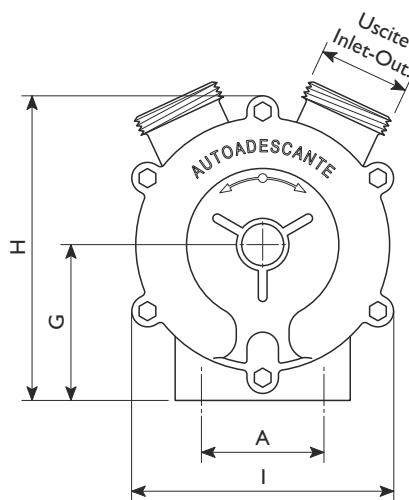
**SPECIAL NEOS 3/4"**



**SPECIAL 20-25**



**SPECIAL 30-40-50  
SPECIAL SENIOR 1" 1/2  
SPECIAL MASTER 2"**



Tipo Type	Uscite Inlet-Outlet	Raccordi Pipe fittings	Dimensioni (mm) / Dimensions (mm)												
			A	B	C	D	E	F	G	H	I	L	M	N	P
<b>SPECIAL 20</b>	BSP-M 3/4"	Ø20	84	-	70	35	81	Ø8.5	58	100	120	172	M14x1.5	Ø14.5	Ø70x1A
<b>SPECIAL 25</b>	BSP-M 1"	Ø25	84	-	70	40	98	Ø8.5	56	108	120	190	M14x1.5	Ø14.5	Ø70x1A
<b>SPECIAL 30</b>	BSP-M 1" 1/4	Ø30 - Ø35	70	55	64	50	103	Ø8.5	89	175	150	254	M16	Ø19	Ø70x1A
<b>SPECIAL 40</b>	BSP-M 1" 1/2	Ø40 - Ø45	70	55	64	67	128	Ø8.5	89	175	150	277	M16	Ø19	Ø80x2A
<b>SPECIAL 50</b>	BSP-M 2"	Ø50	70	55	90	90	160	Ø9	107	210	185	330	M16	Ø19	Ø80x2A
<b>SPECIAL NEOS 3/4"</b>	BSP-M 3/4" *	Ø20 **	84	-	70	34	80	Ø8.5	58	100	120	171	M14x1.5	Ø14.5	Ø70x1A
<b>SPECIAL SENIOR 1" 1/2</b>	BSP-M 1" 1/2 *	Ø40 **	70	55	64	76	138	Ø8.5	89	175	167	287	M16	Ø19	Ø80x2A
<b>SPECIAL MASTER 2"</b>	BSP-M 2" *	Ø50 **	70	55	90	94	165	Ø9	107	210	205	335	M16	Ø19	Ø80x2A

ISO R 52-253

\* = Uscite standard BSP (Gas), altre uscite disponibili p.20 / Standard inlet-outlet BSP (Gas), different inlet-outlet are available see p.20  
 \*\* = Raccordi in acciaio inox o nylon a richiesta / Stainless steel or nylon pipe fittings on request